

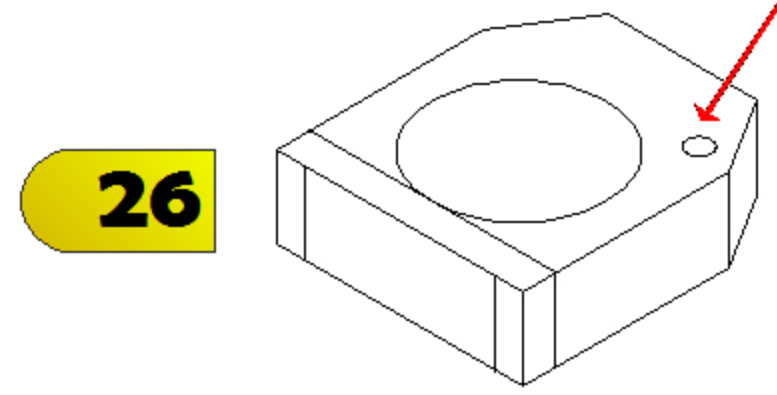
14

- 20
- 21
- 22
- 23
- 24
- 25

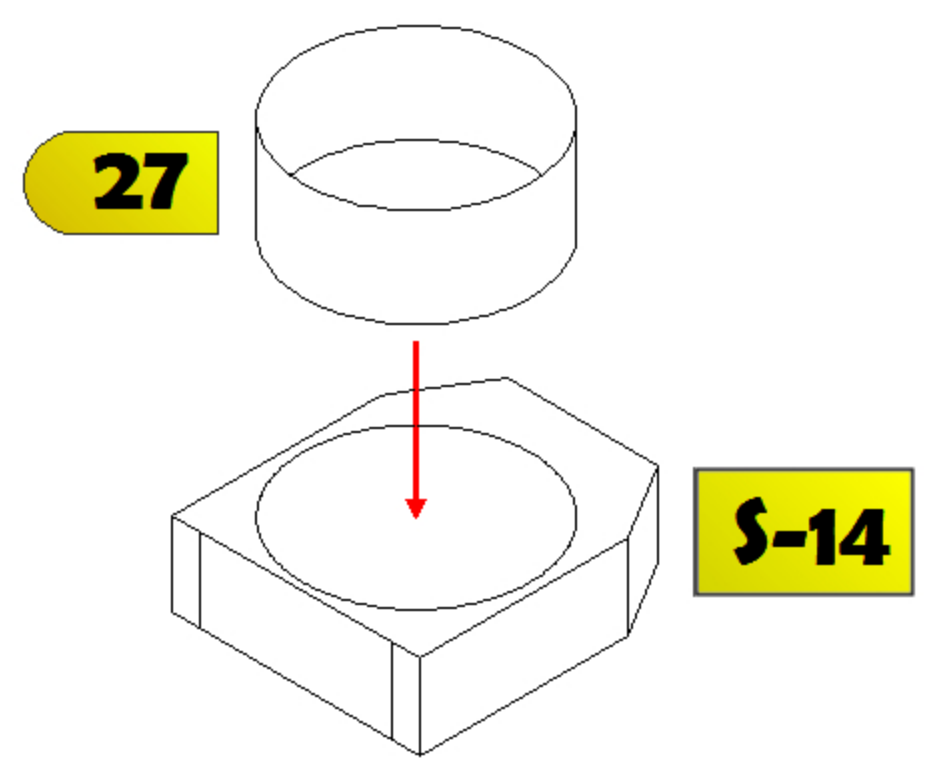
Part 25 is optional

Laminate part 20 thru 24 for added depth

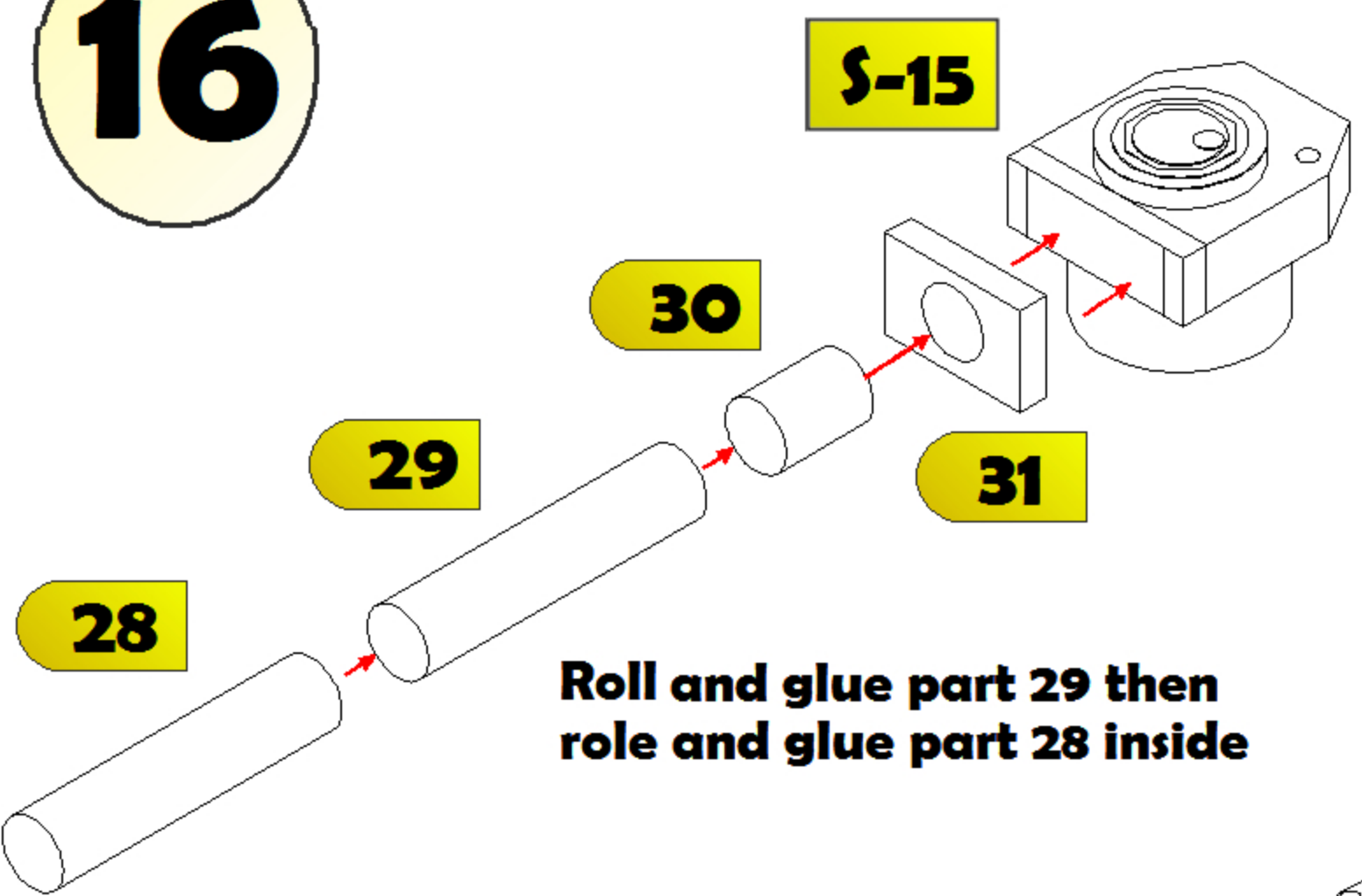
Cut hole before assembly



15

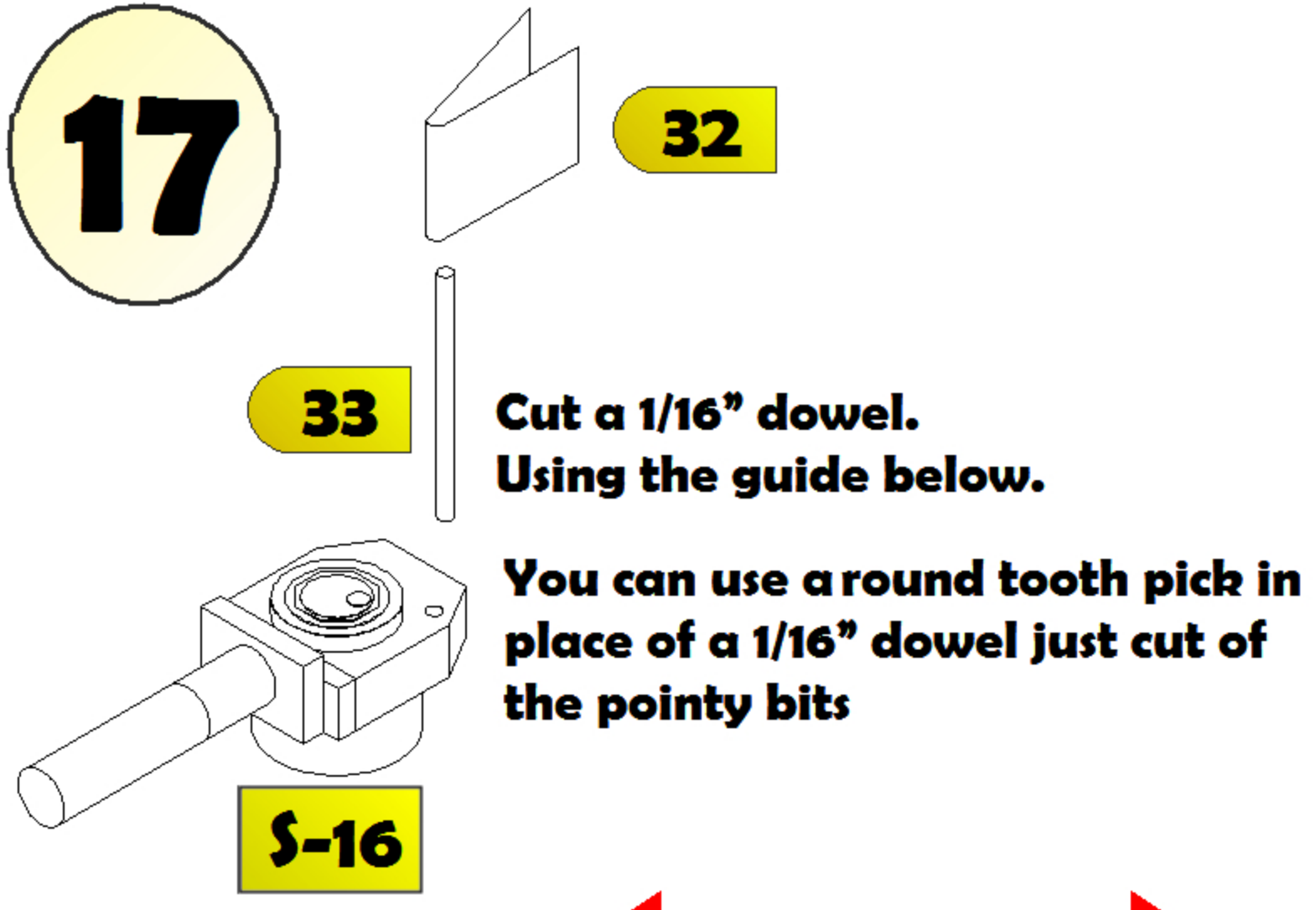


16



Roll and glue part 29 then roll and glue part 28 inside

17

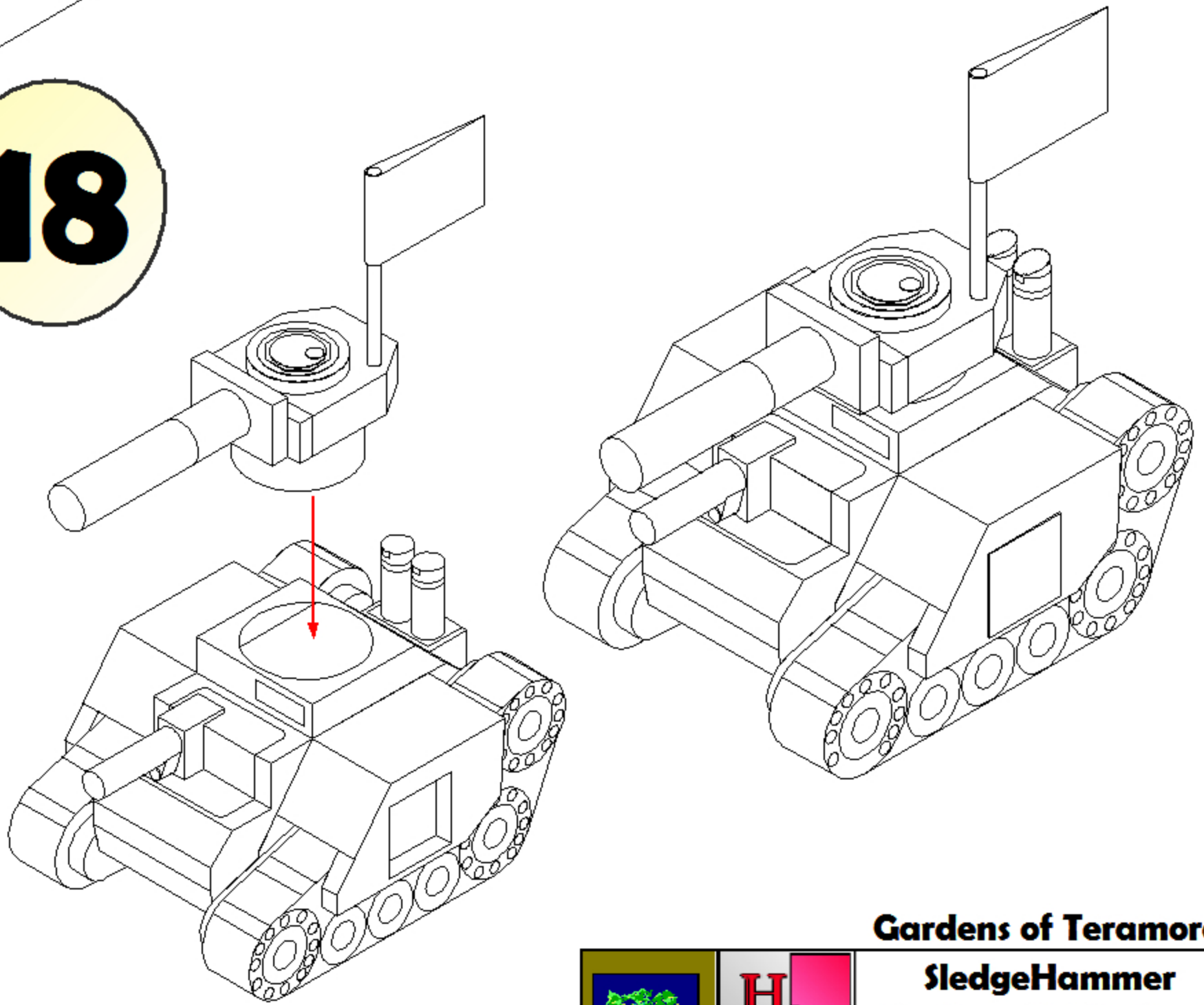


Cut a 1/16" dowel. Using the guide below.

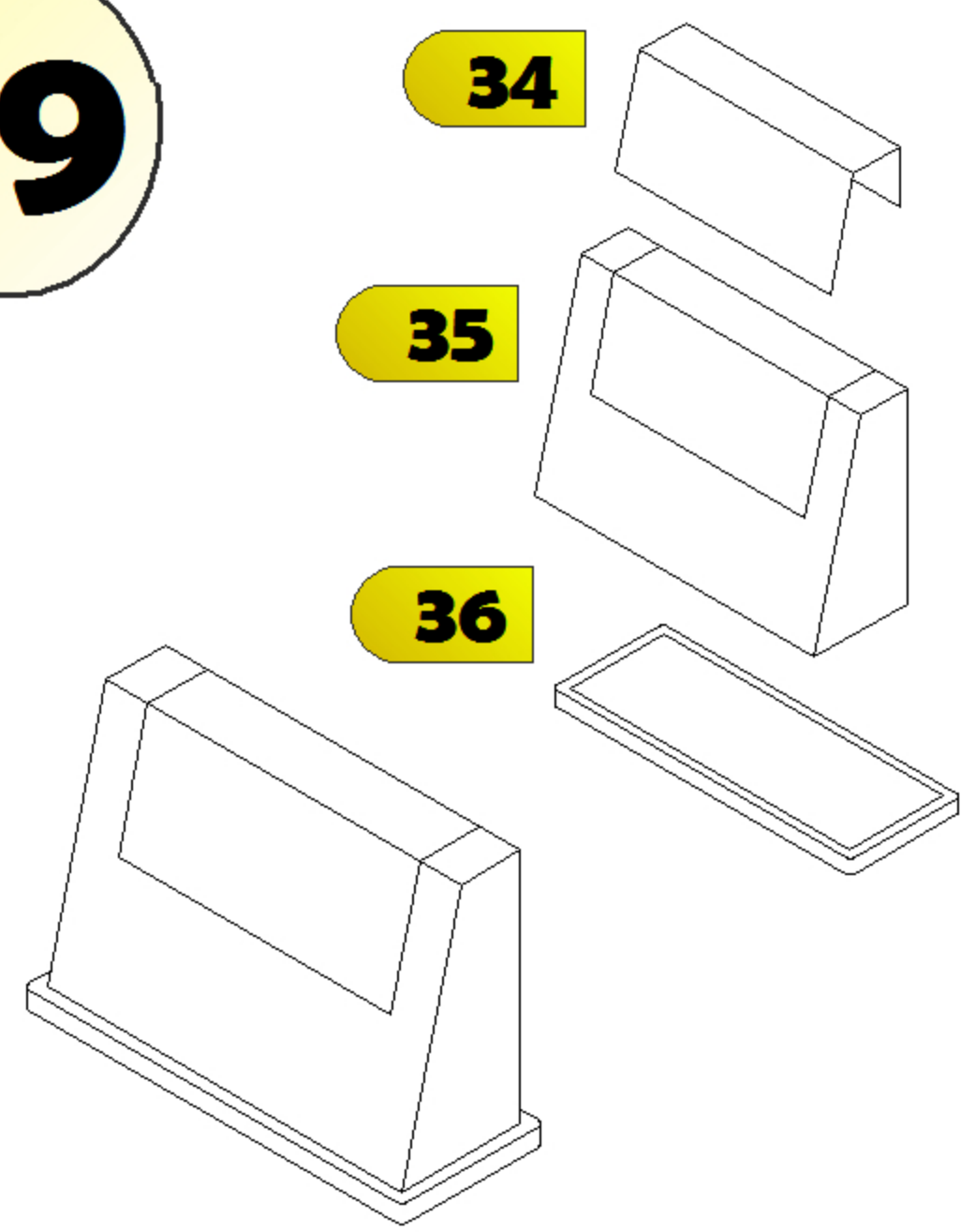
You can use a round tooth pick in place of a 1/16" dowel just cut of the pointy bits



18



19



Gardens of Teramora



SledgeHammer
 Medium Battle Tank
 Kit# Th1K1000004
 ©&™ Hover Design Concepts