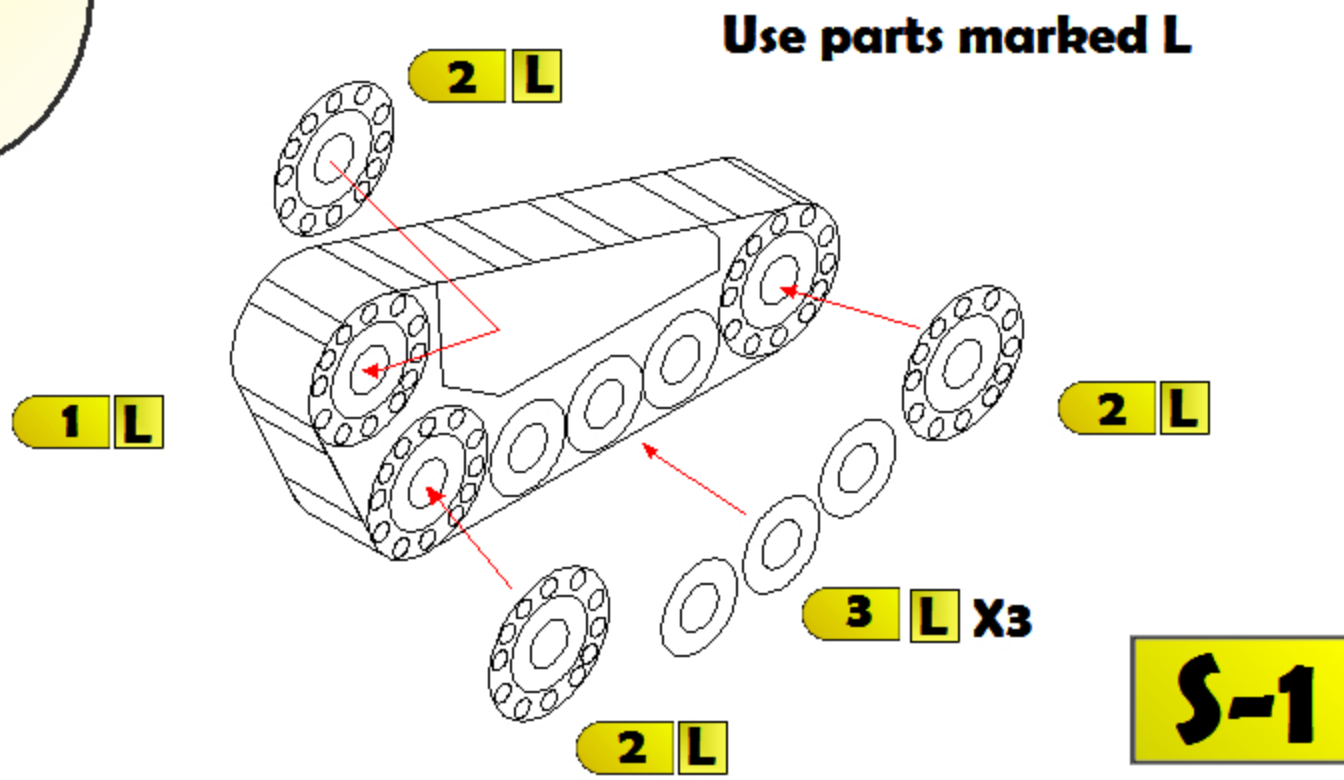


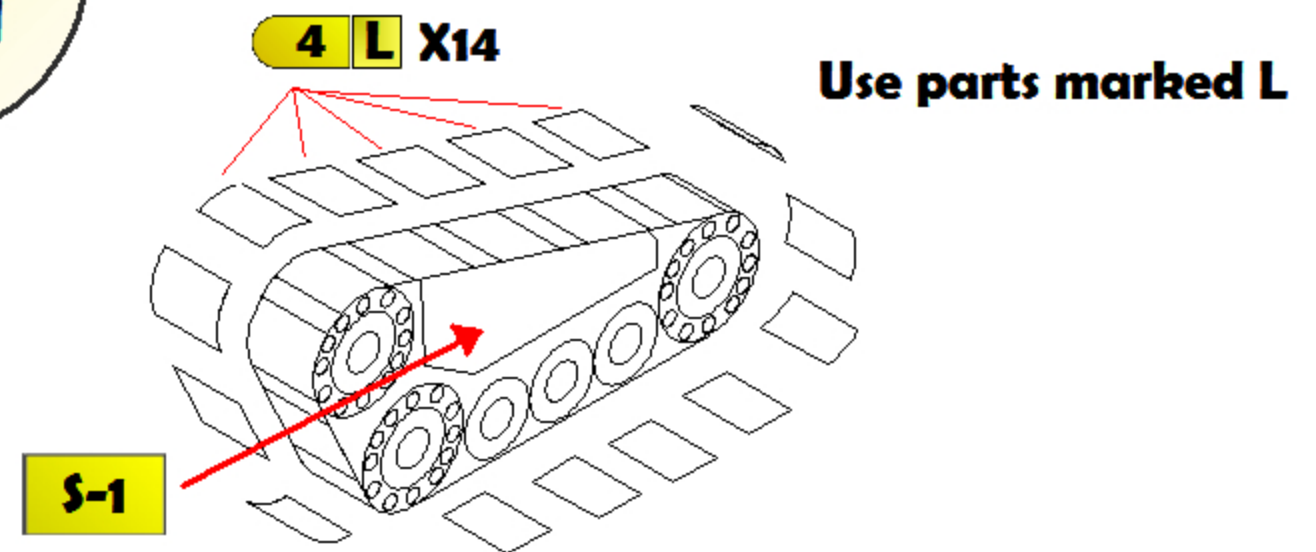
1

After assembling part 1 laminate part's 2&3 and glue to part 1



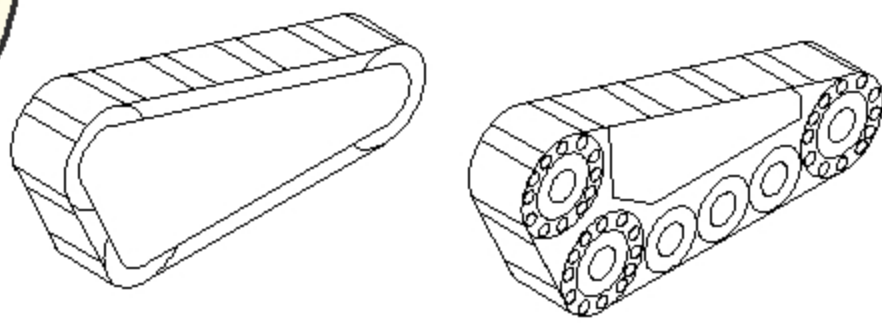
2

Laminate all treads part 4 and glue to step 1

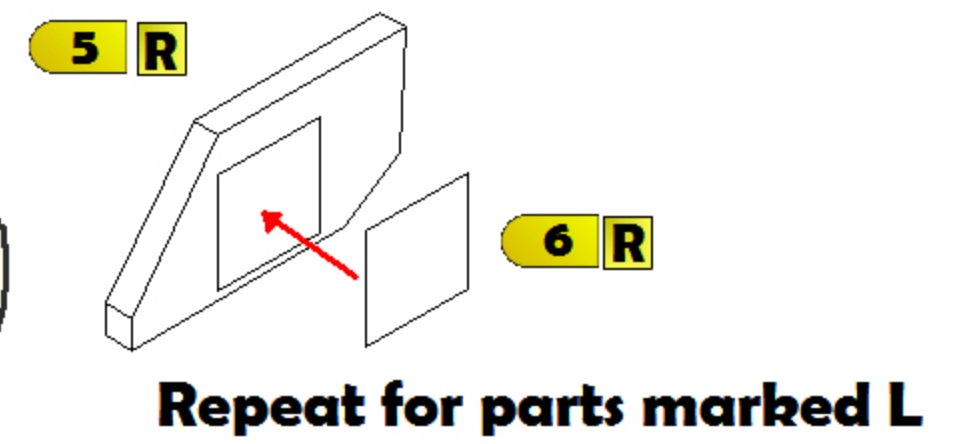


3

Repeat steps 1 and 2 use parts marked R

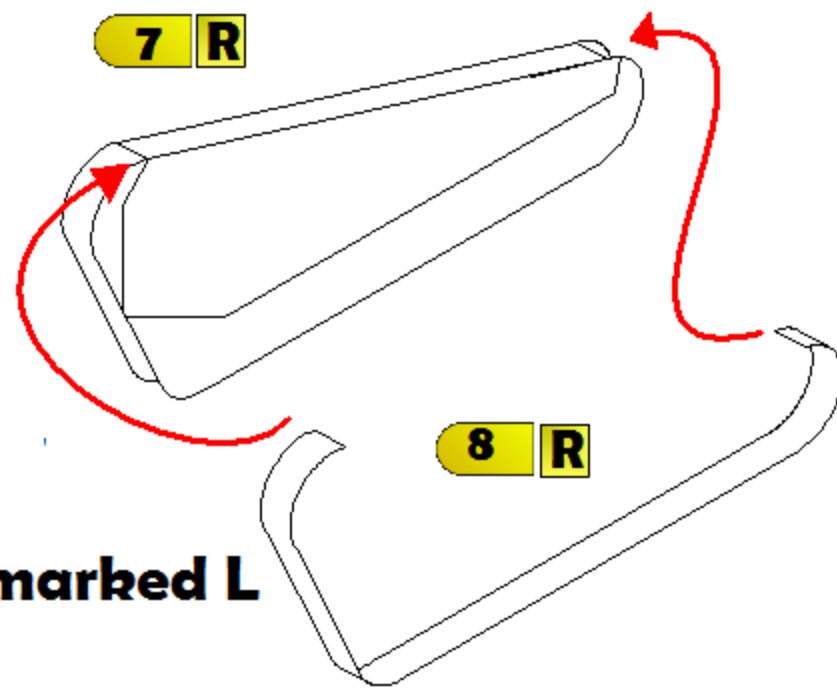


4

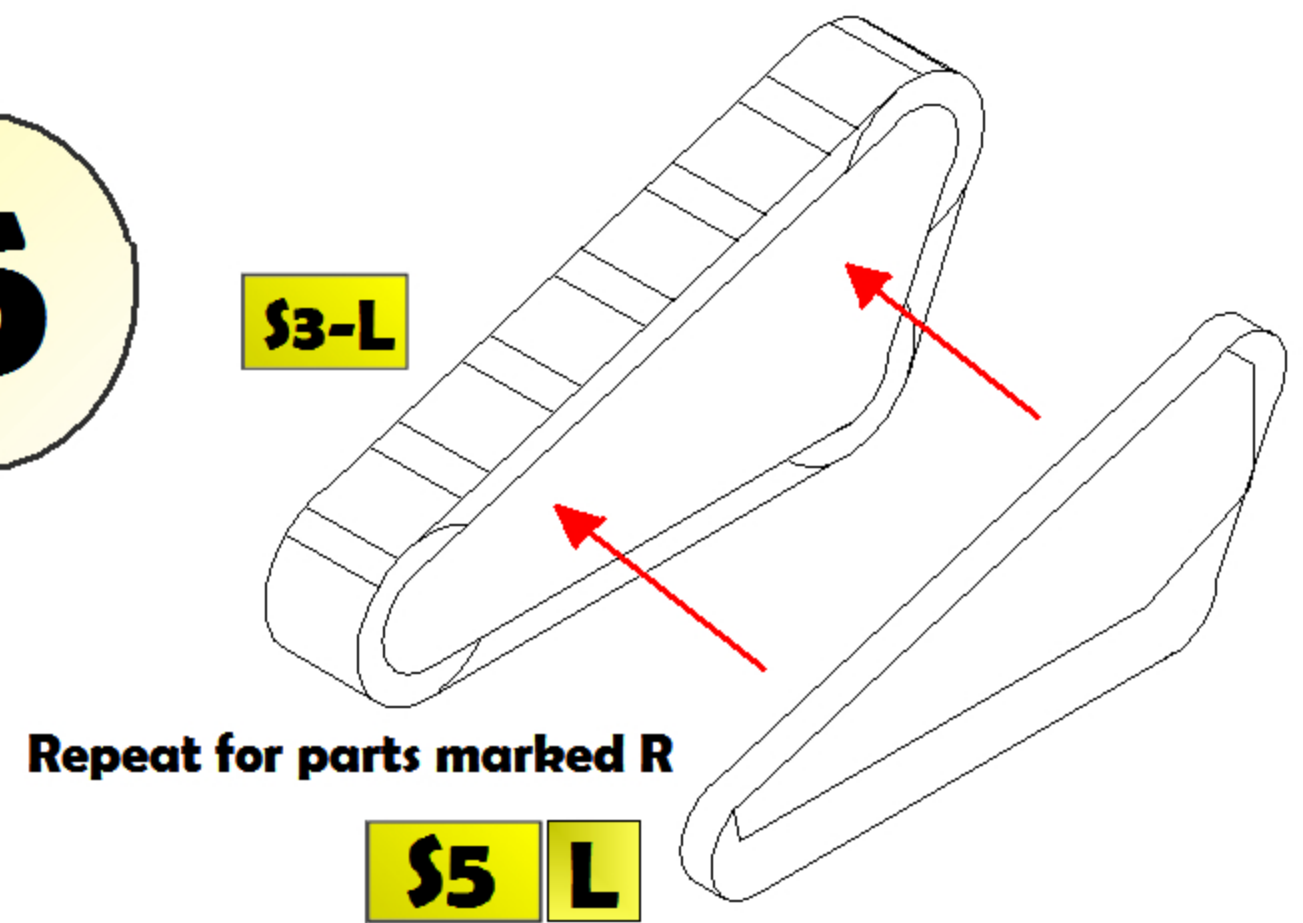


5

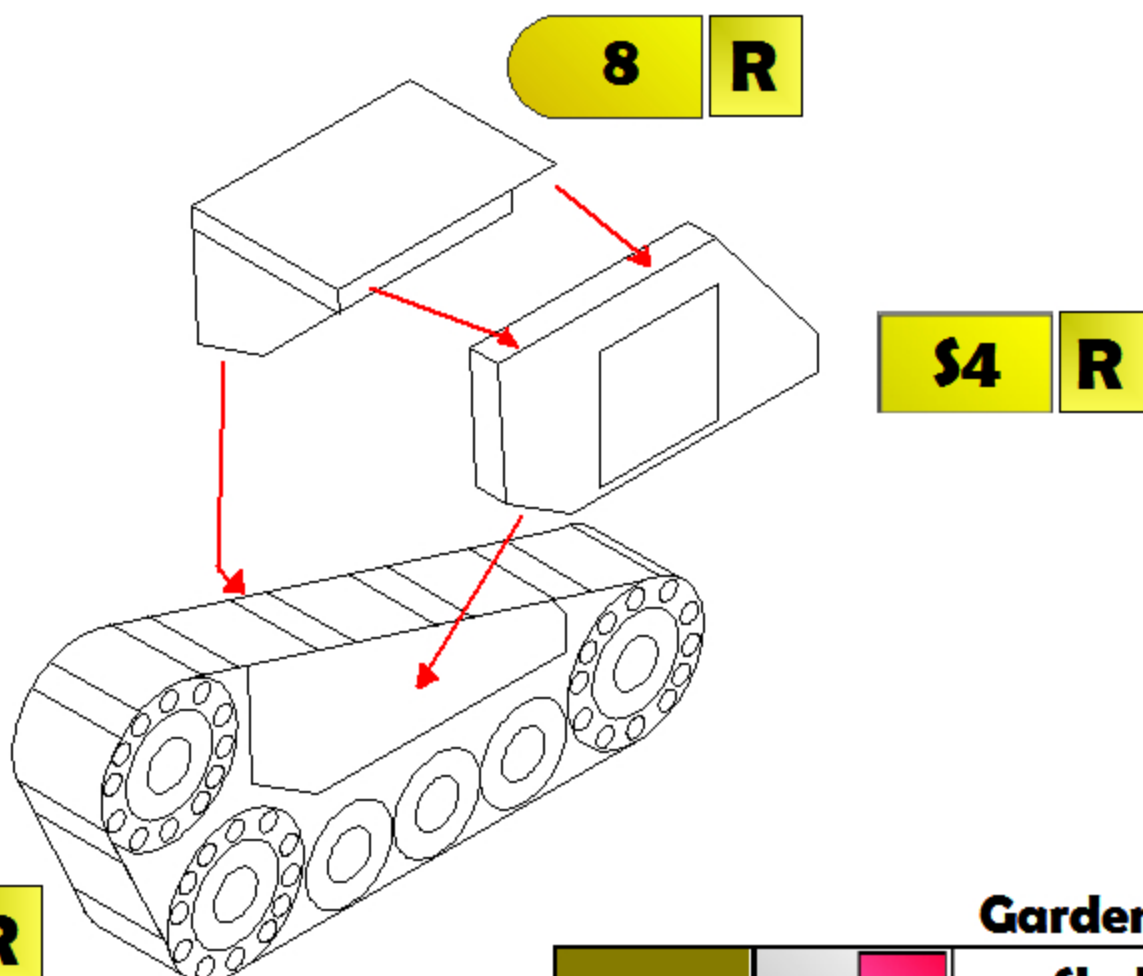
Pay close attention to arrows on parts 7&8 to align properly



6

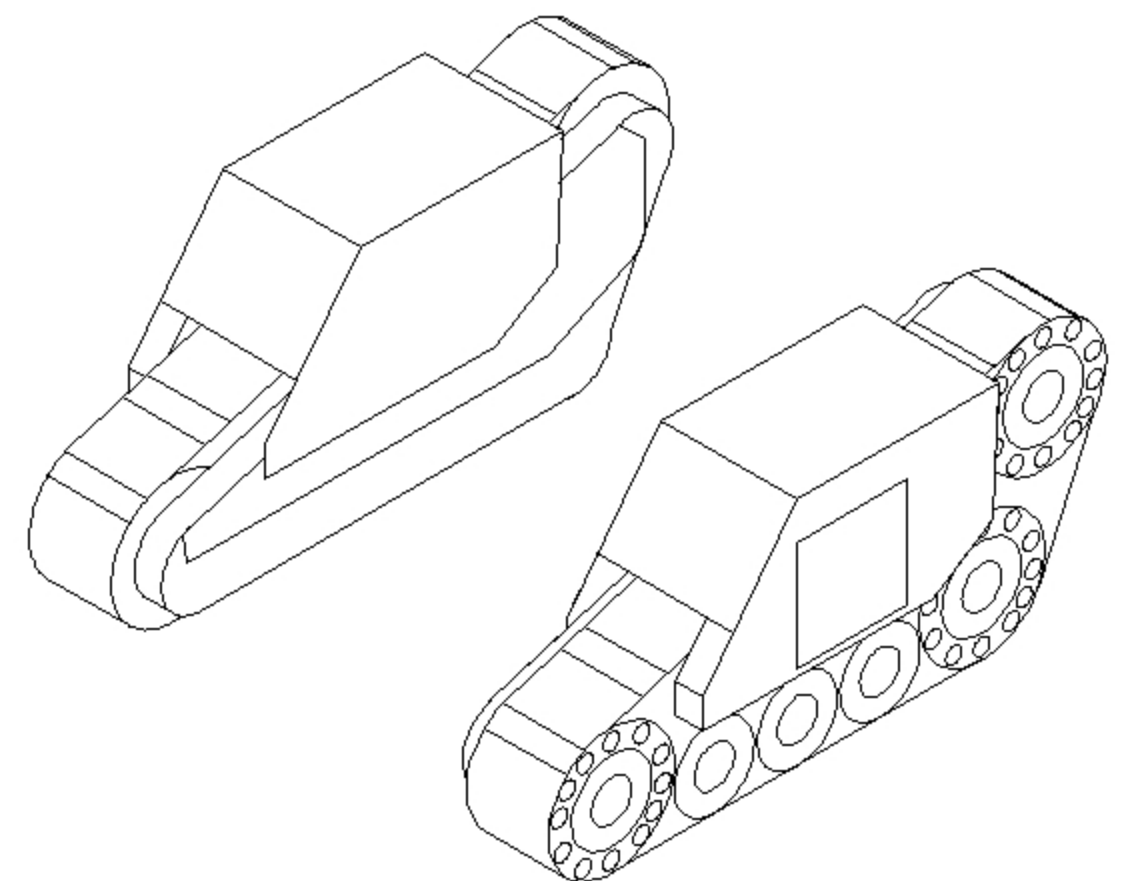


7



8

Repeat for parts marked L



Gardens of Teramora

SledgeHammer
Medium Battle Tank
Kit# Th1K1000004
© &™ Hover Design Concepts



Set aside and proceed to step # 9