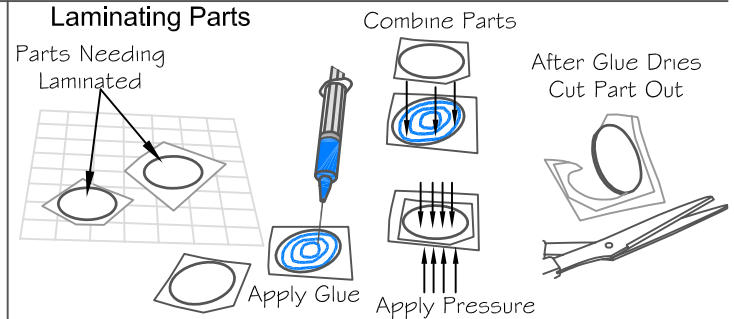
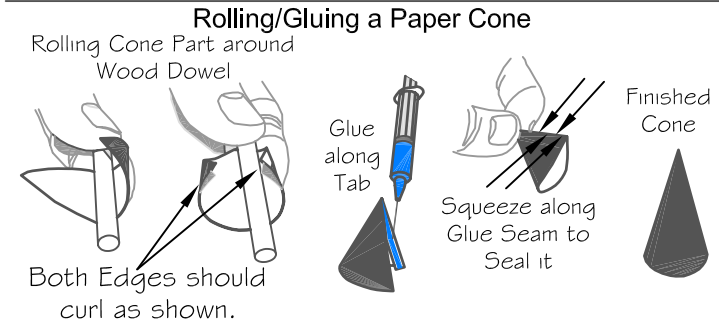
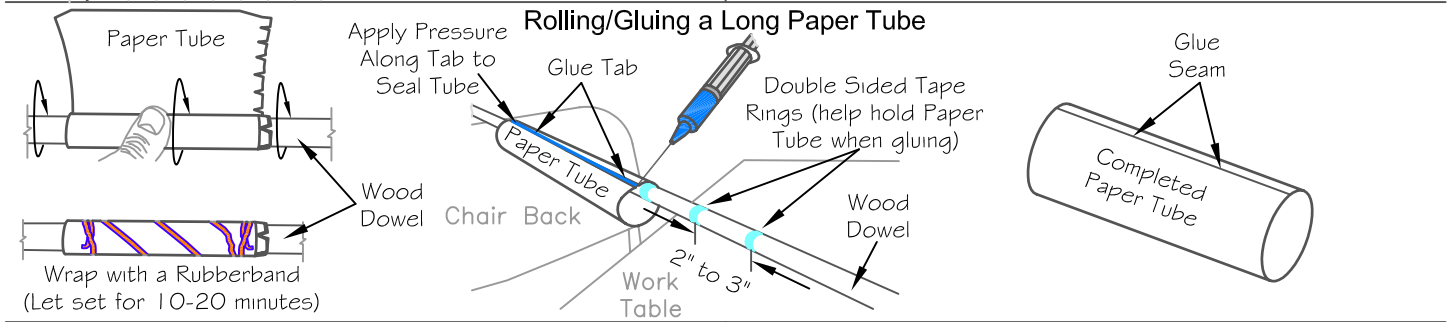
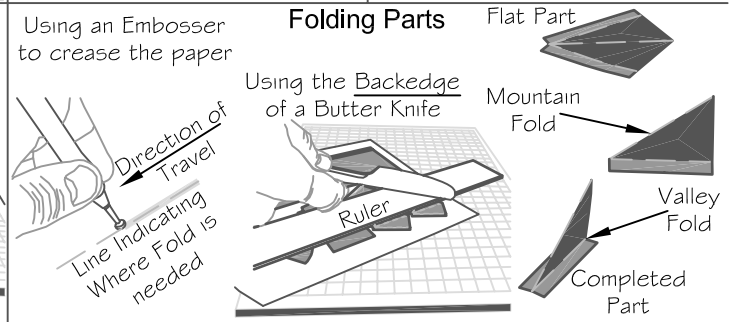
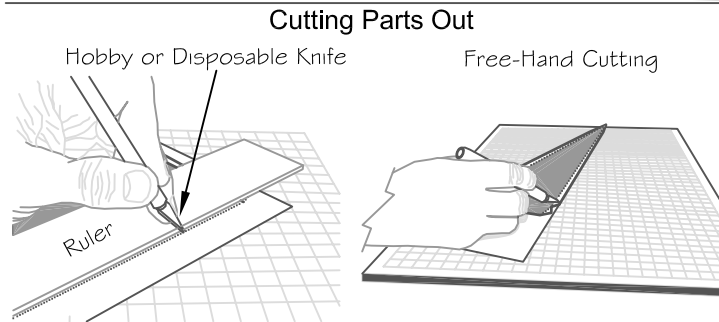
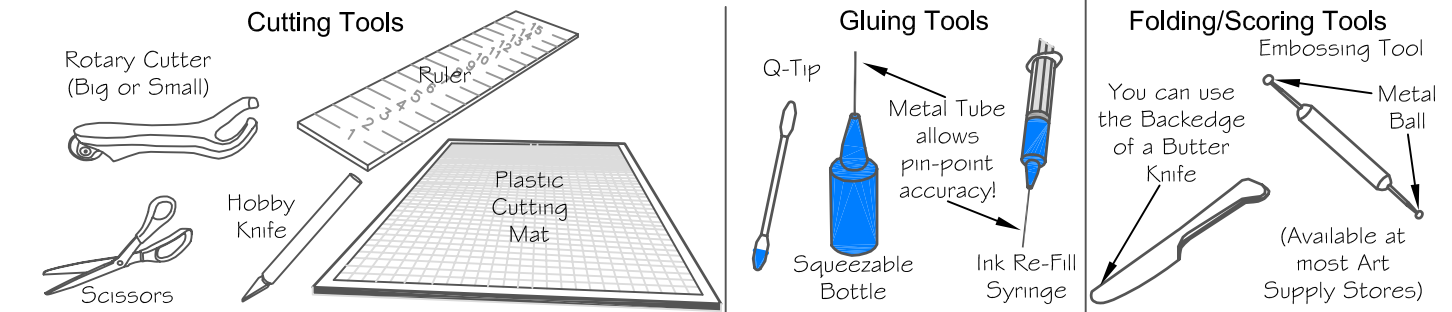


TOOLS, HOW TO MAKE PARTS, & NOTES

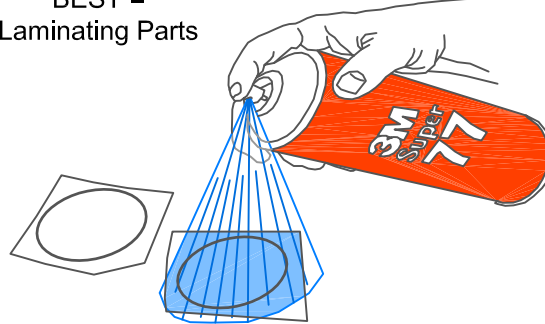


NOTES:

1) Look for small tick marks to help align Nosecone & Fuselage Parts when gluing together!

2) Edge Coloring Comments: Before completing the parts, you can use almost any type of marker, Color pencils, pastels, acrylic paint, water color paint or crayons to color the edges to get rid of the white "edge" where parts meet.

BEST = Laminating Parts



BEST = 3M Super 77 Spray Glue

